

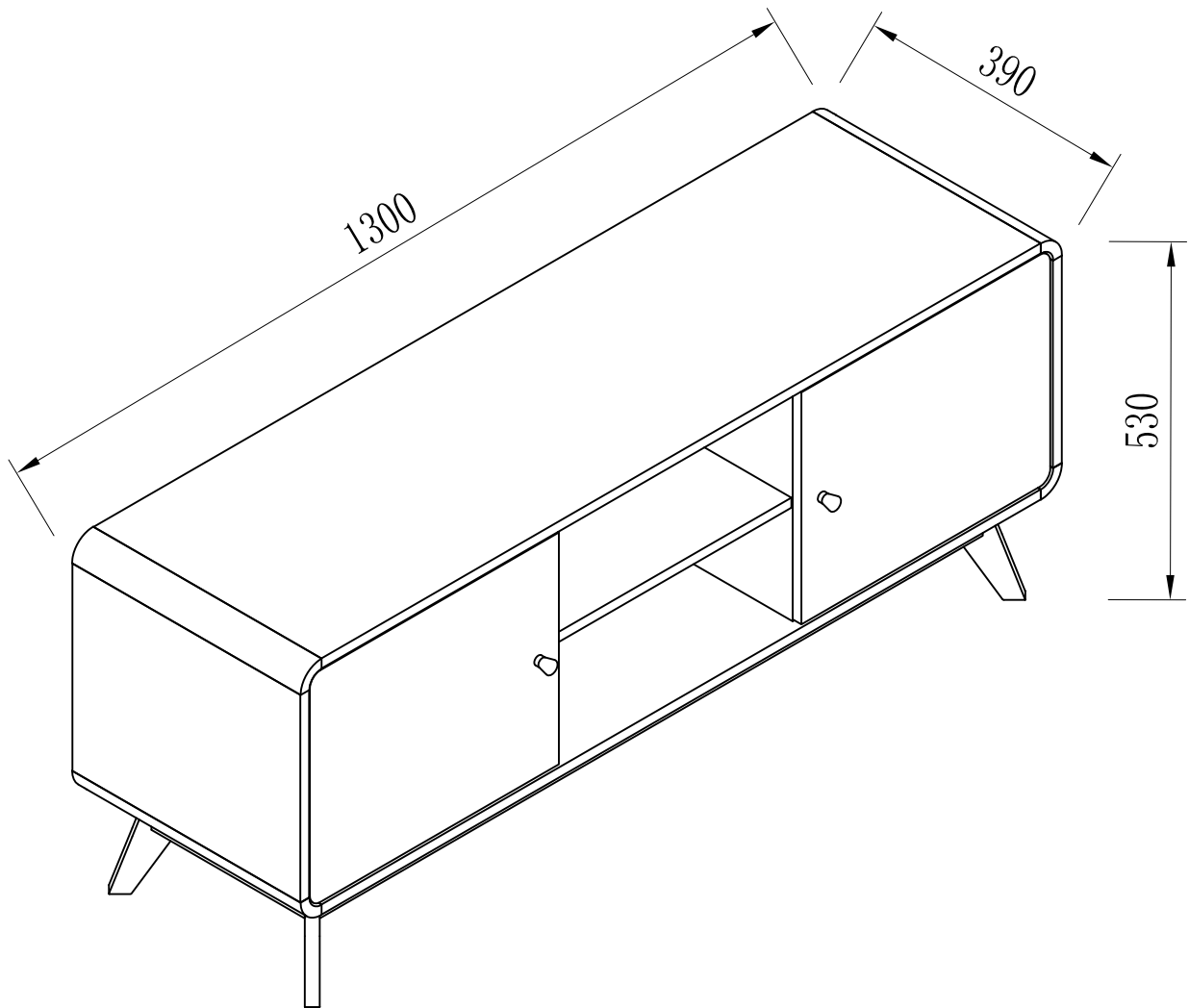


ASSEMBLY INSTRUCTION
ALYSSA ENTERTAINMENT UNIT
ITEM CODE 65887

Imported by Amart Furniture Pty Ltd. Qld. Brisbane Australia.

For any assistance with assembly or for missing parts please phone

Amart Furniture, Customer Service Free call 1800 351 084



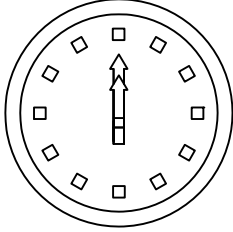
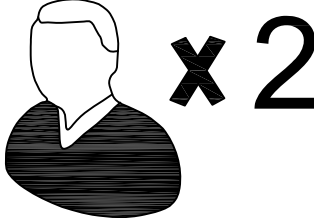

Imported by Amart Furniture Pty Ltd. Qld. Brisbane Australia.

For any assistance with assembly or for missing parts please phone Amart Furniture
Customer Service Free call 1800 351 084

PRE-ASSEMBLY PREPARATION

Before you start:

1. Choose a clean, level, spacious assembly area. Avoid hard surfaces that may damage the product
2. Take care when lifting. Product should be assembled as near as possible to the point of use
3. Ensure that you have all required contents for complete assembly.
4. Always read the assembly instructions carefully before beginning assembly.
5. Keep all hardware parts and packaging out of reach of small children.
6. Do not over tighten the screws and bolts as this may damage the threads

 ALLOW 60 MINUTES	 2 PEOPLE REQUIRED
 ⊕ ADDITIONAL TOOLS REQUIRED	

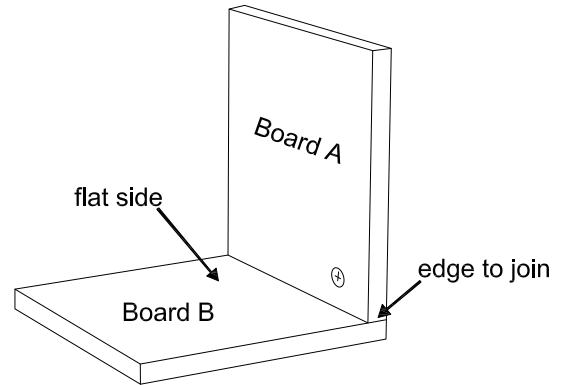
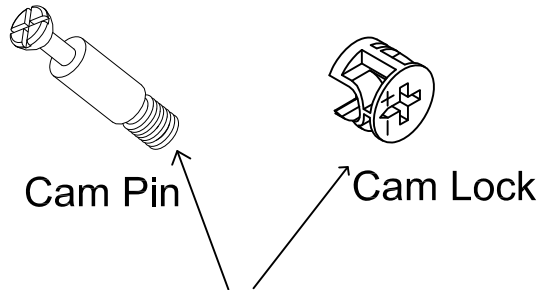
 TIPPING WARNING 	
	<p>Serious or fatal injuries may occur from furniture toppling over. To help avoid this please follow the below recommendations:</p> <ul style="list-style-type: none">• Install the provided "Tipping Kit" as per the instructions• Never allow children to climb on or hang off of any part of this product• Unless specifically designed to accommodate, do not set TVs or other heavy objects on top of this product <p>If this product has drawers:</p> <ul style="list-style-type: none">• Place the heaviest items in lowest drawers• Do not open more than 1 drawer at a time as this may cause the product to become unbalanced• Do not tamper with or remove any drawer interlocking/running system <p>Note: The use of the provided "Tipping Kit" may reduce but not necessarily eliminate the risk of furniture toppling over. Please use this product with caution.</p> <p><i>This is a permanent label. Do not attempt to remove!</i></p>

CAM Lock and Pins

step 1

HOW TO USE CAM LOCK FASTENERS

To assemble this product hardware called Cam Lock Fasteners are used. The below is information on how these work. Cam Locks are fasteners used to join two boards together, usually the edge of one board(A) to the flat side of another board(B)



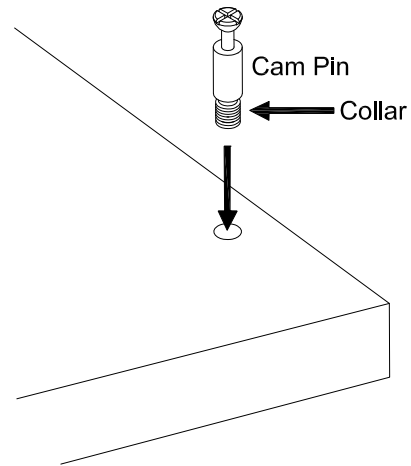
Ensure that you use the correct images that are representative of the hardware used in the product

step 2

To use Cam Lock Fasteners

The Cam Pin is inserted into the flat side of a board, it is important that:

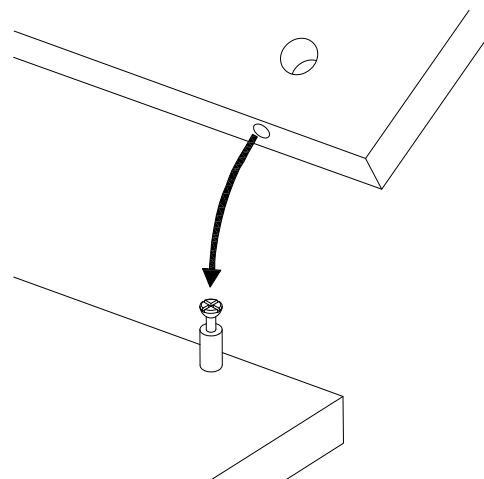
- * The cam pin is kept vertical and is not put in on an angle
- * Cam Pin is inserted up to the collar
 - * Too far and it wont catch the Cam Lock (Do not Over Tighten)
 - * Not enough and the resulting product wont be stable



step 3

To use Cam Lock Fasteners

Now fit the hole in the edge of the joining board over the Cam Pin

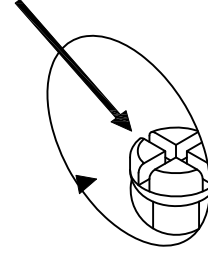


step 4

To use Cam Lock Fasteners

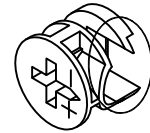
The Head of the Cam Pin will be visible in the large hole on the side of the joining board

head of the Cam Pin



To use Cam Lock Fasteners

Notice the Cam Lock has a "C" Shaped back An Arrow or +/- signs on the front, indicated the open section on the back of the Cam Pin



Cam Lock

step 5

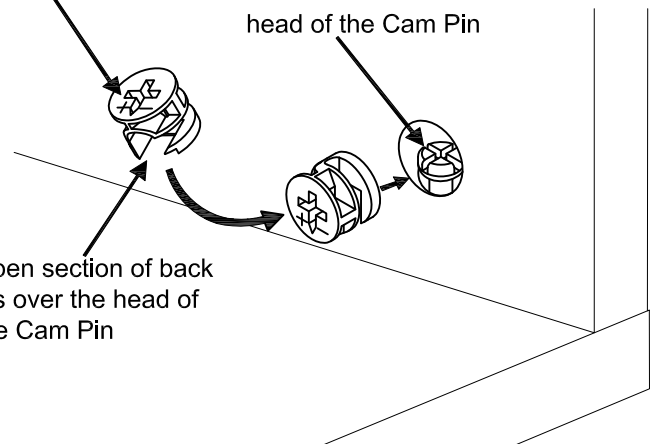
To use Cam Lock Fasteners

In sert the Cam Lock into the large hole so the opening of the "C" fits over the head of the Cam Pin. You must ensure that the Cam Lock is pushed to the bottom of the hole to catch the top of the Cam Pin

Arrow or +/- signs

head of the Cam Pin

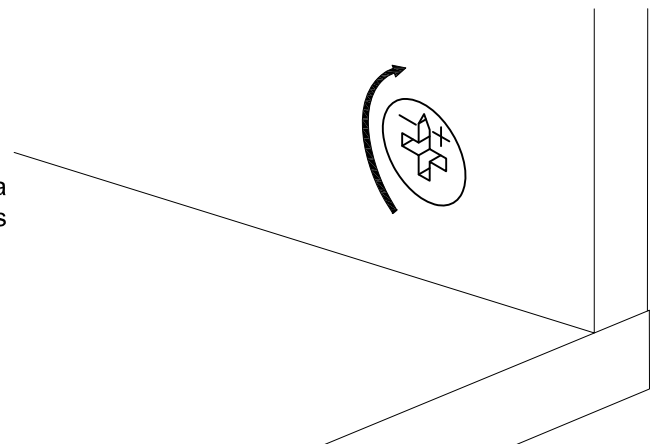
Open section of back fits over the head of the Cam Pin



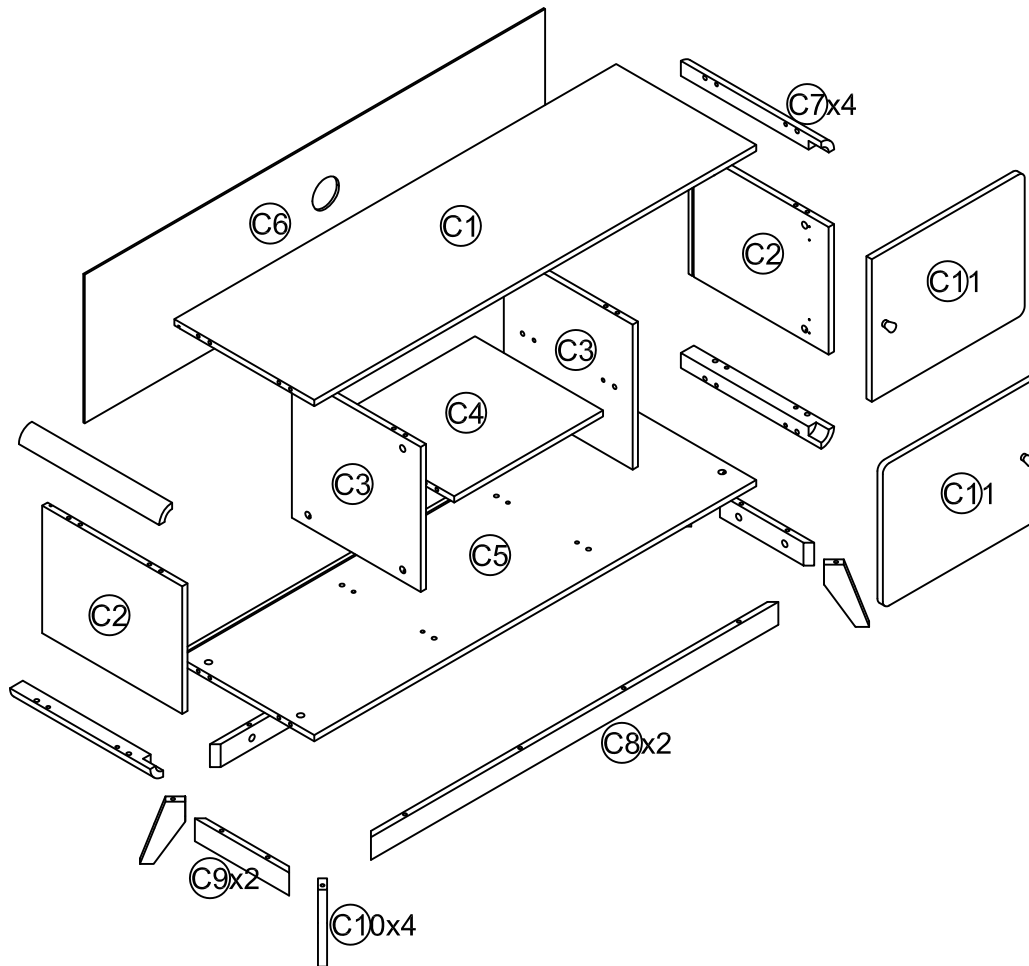
step 6

To use Cam Lock Fasteners


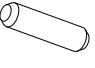



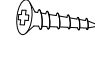


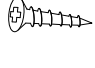
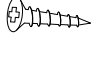

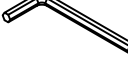


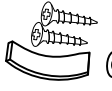
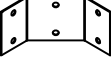

Use a flat screwdriver to turn the Cam Lock clockwise one half a turn so it Locks onto the head of the Cam Pin. Turn only until it is snug-over-tightening could cause the Cam to bend or break. If it will not turn the full amount, turn the Cam Pin out (counter-clockwise) one full turn, and try the Cam Lock again.



PARTS LIST

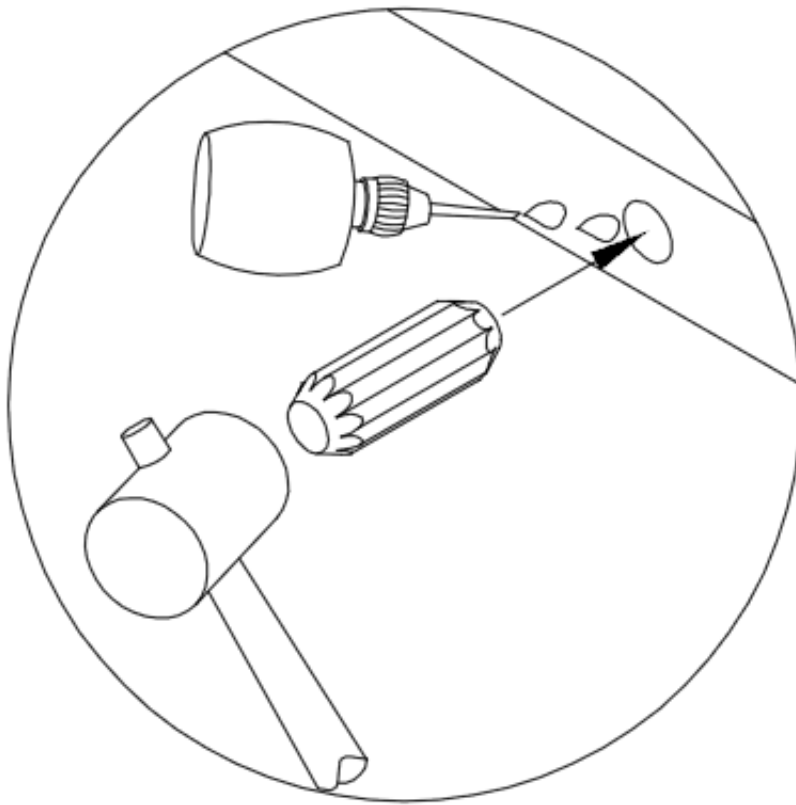


C1	Top Panel	C7	Corner Panel
C2	Side Panel	C8	Long Apron Panel
C3	Middle Support Panel	C9	Short Apron Panel
C4	Shelf Panel	C10	Leg Panel
C5	Bottom Panel	C11	Door Panel
C6	Back Panel		

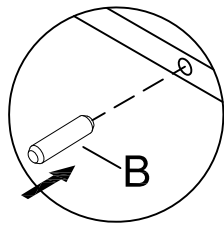
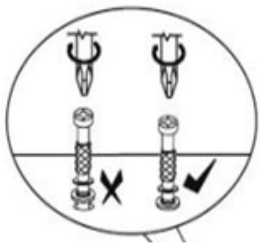
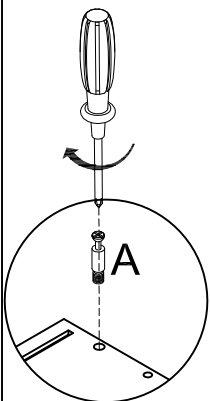
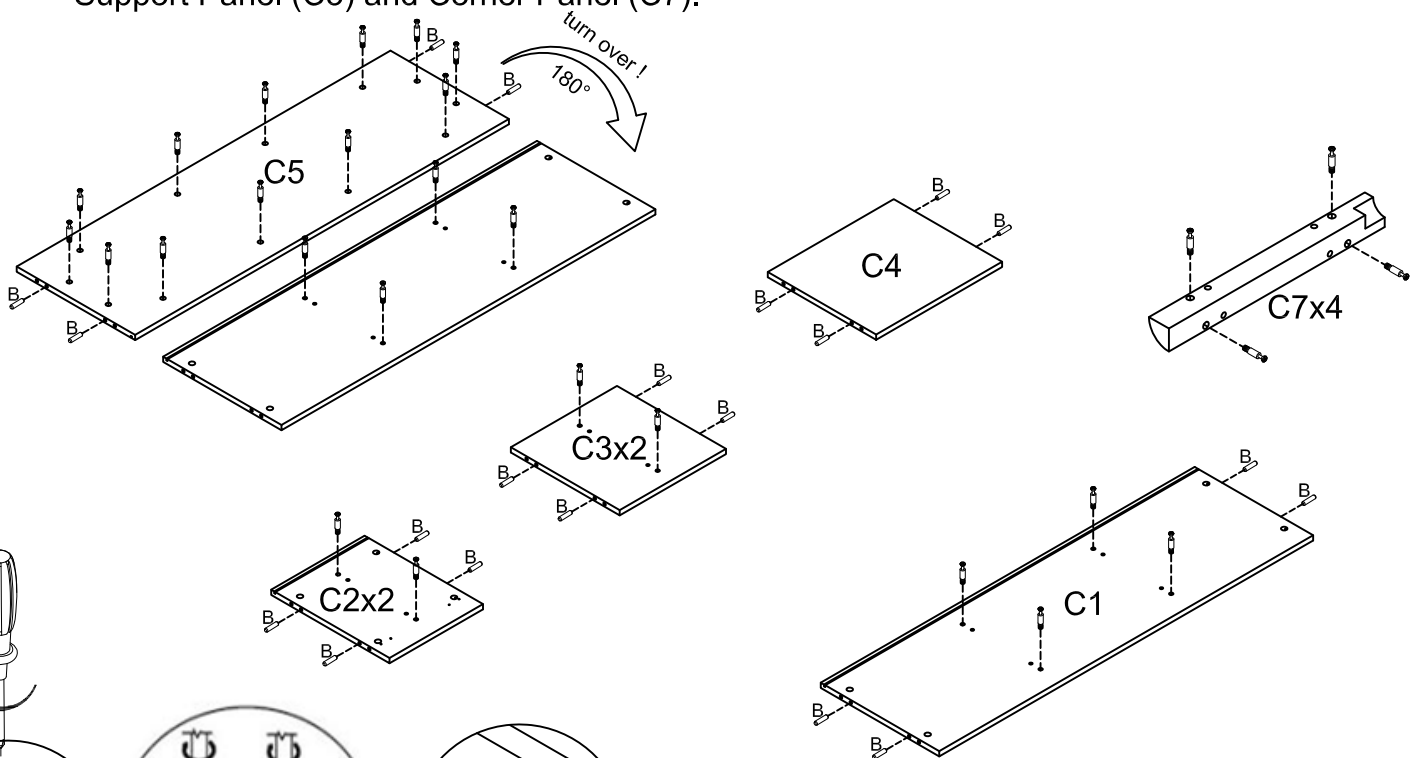
A. Cam lock and Cam pin  Ø15X32 40PCS	B. Dowel Ø8X30  28PCS	C. Bolt M4x20  2PCS	D. Cover Ø20  28PCS	E. Screw Ø3.5X16  1PCE	F. Screw Ø3X18  6PCS	G. Connector  6PCS
H. Hinge  4PCS	I. Screw Ø4X14  24PCS	J. Screw Ø4X16  16PCS	K. Bolt  4PCS	L. Hex Key 4MM  1PCE	M. Screw Ø4X16  8PCS	N. Handle  2PCS
O. Belt  1PC	P. Corner plate  4PCS	Q. Glue  1PC				

65887

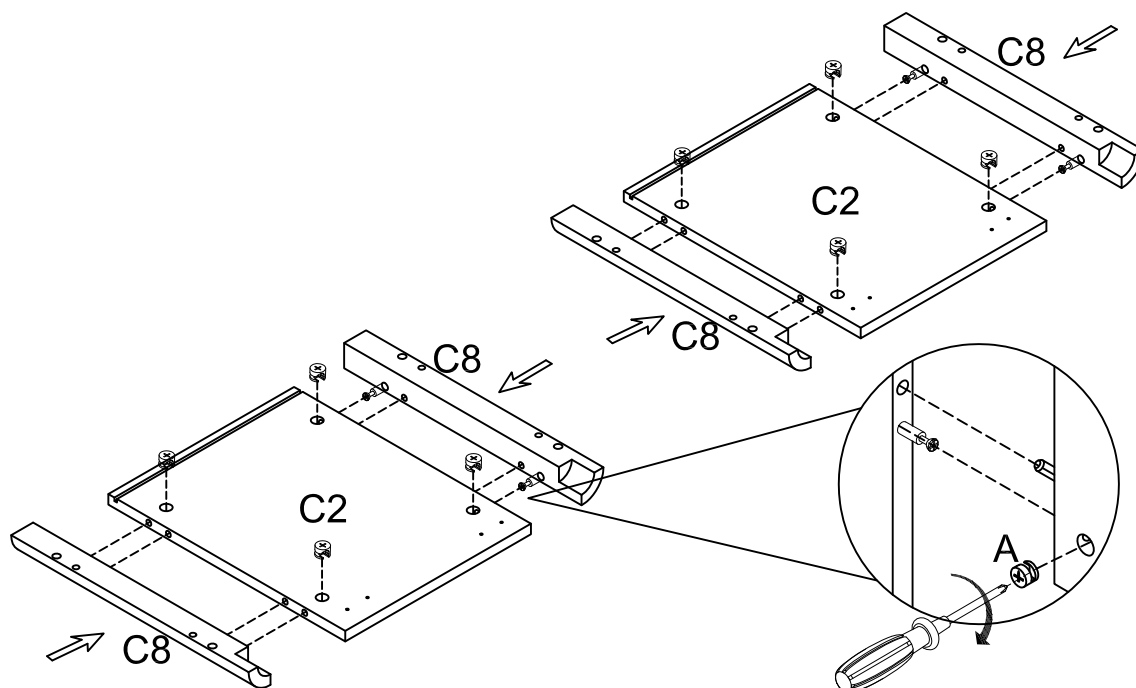
Step 1. Add the glue into the hole when assembling the Dowel .



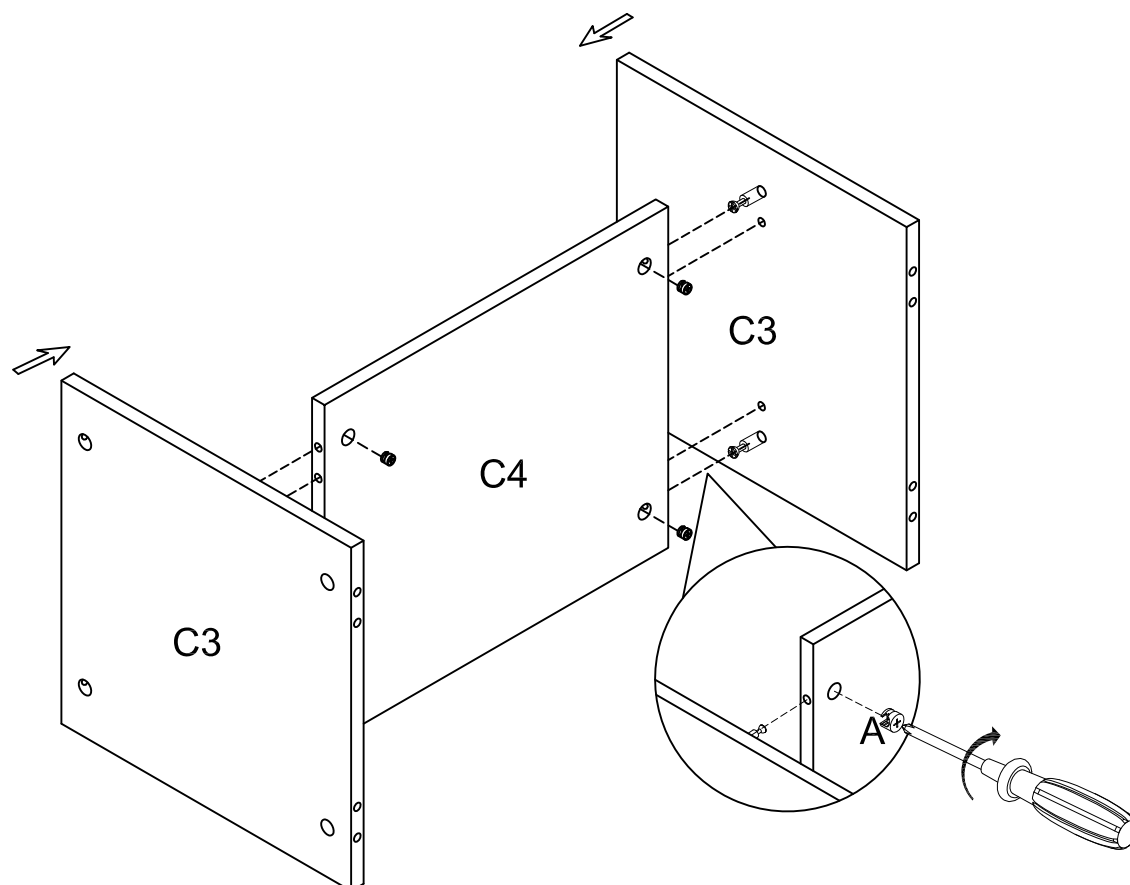
STEP 2: Insert the Dowel (B) to the Top Panel (C1) and Bottom Panel (C5) and Side Panel (C2) and Middle Support Panel (C3) and Shelf Panel (C4). Use a Phillips Head Screw driver to insert the Cam Pin (A) to Top Panel (C1) and Bottom Panel (C5) and Side Panel (C2) and Middle Support Panel (C3) and Corner Panel (C7).



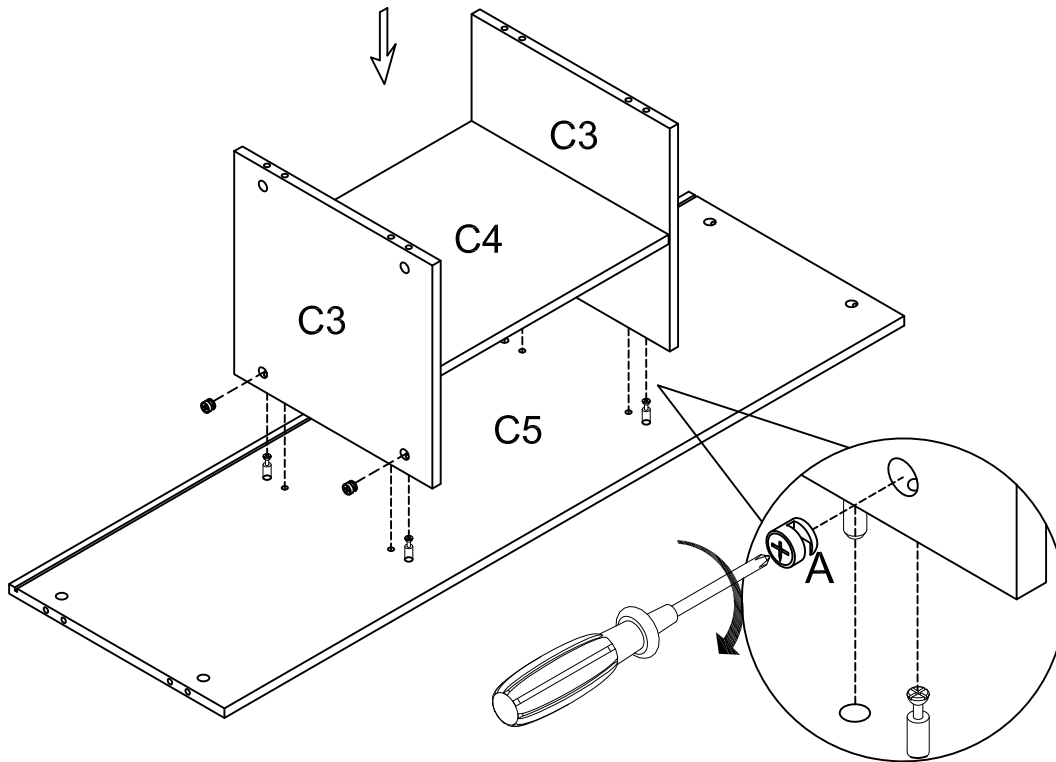
STEP 3: Assemble the Corner Panel (C8) to the Side Panel (C2) . Use a Phillips Head Screwdriver to turn the Cam Lock (A) to lock onto the head of Cam Pin (A) , then put the Cover (D) on the head of Cam Lock (A)



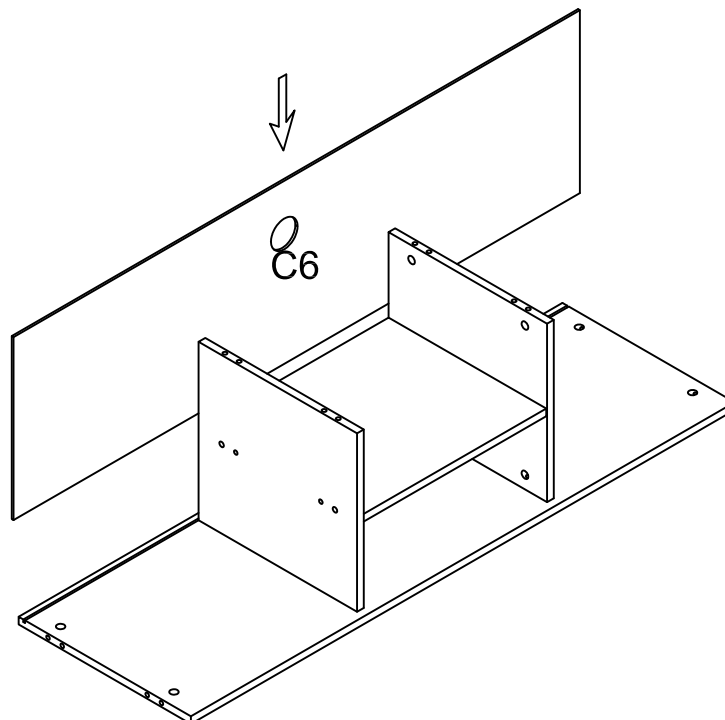
STEP 4: Assemble the Shelf Panel (C4) to the Middle Support Panel (C3) . Use a Phillips Head Screwdriver to turn the Cam Lock (A) to lock onto the head of Cam Pin (A) , then put the Cover (D) on the head of Cam Lock (A).



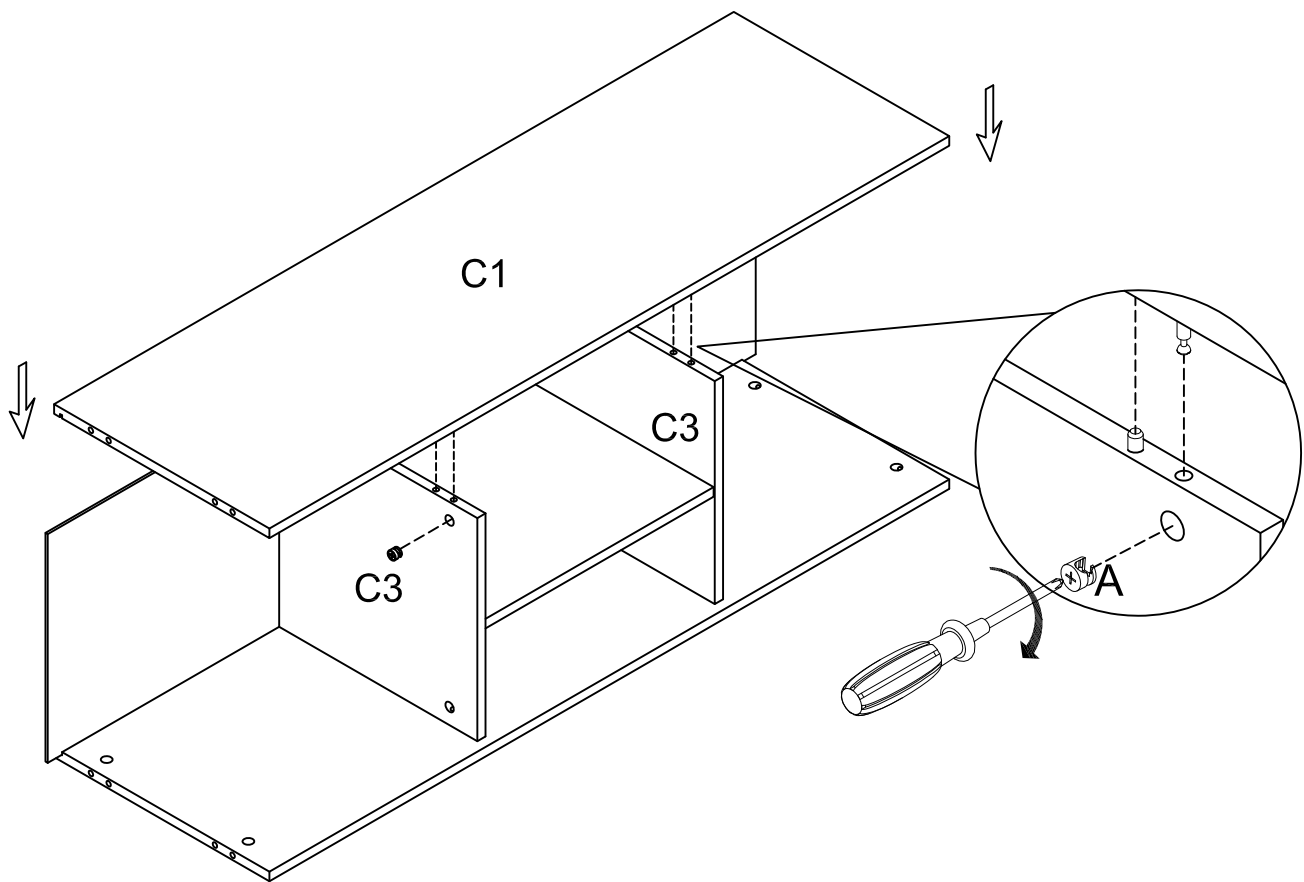
STEP 5: Assemble the Middle Support Panel (C3) to the Bottom Panel (C5) . Use a Phillips Head Screwdriver to turn the Cam Lock (A) to lock onto the head of Cam Pin (A) , then put the Cover(D)on the head of Cam Lock(A).



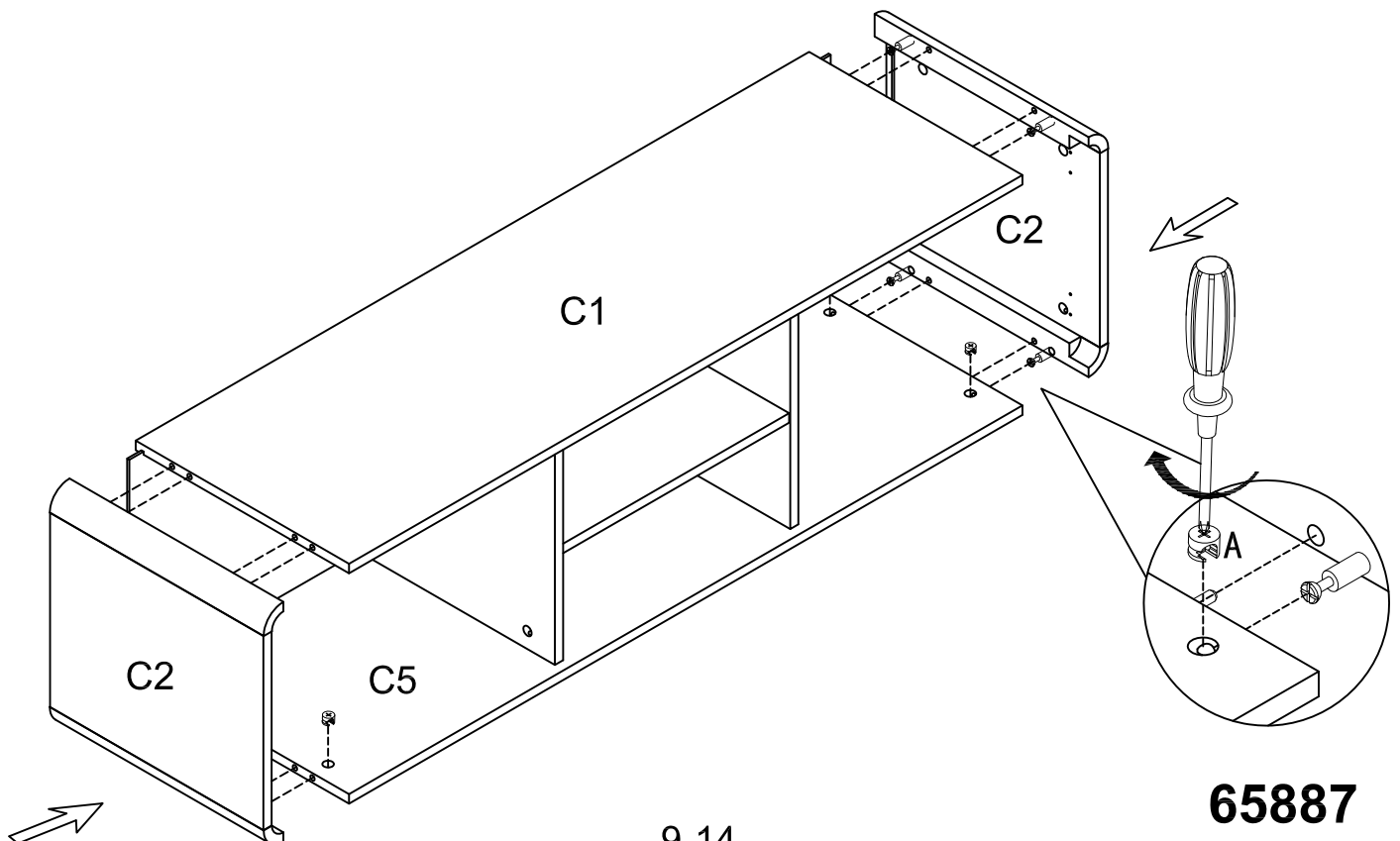
STEP 6: Insert the Back Panel (C6) to the Bottom Panel (C5).



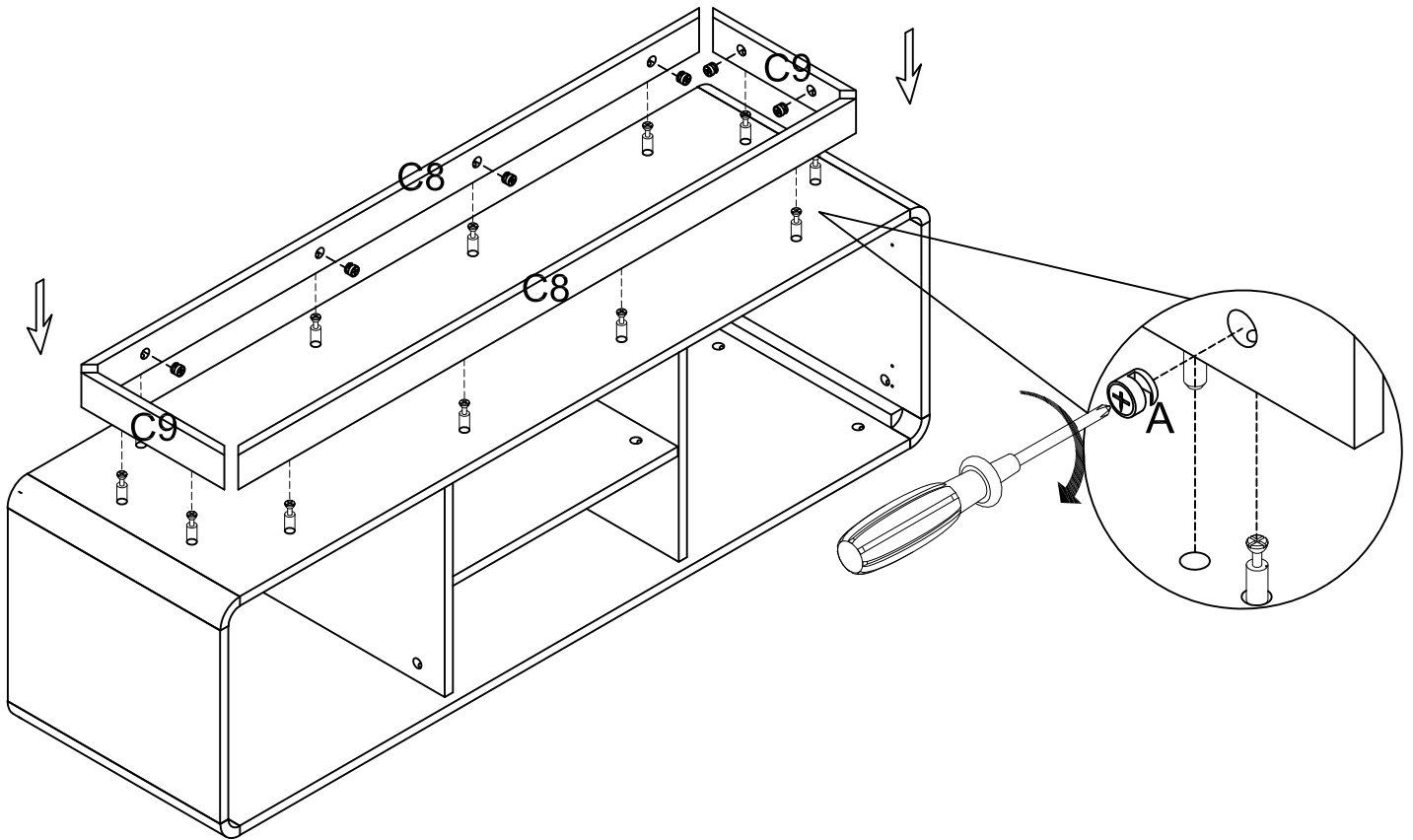
STEP 7: Assemble the Middle Support Panel (C3) to the Top Panel (C1) . Use a Phillips Head Screwdriver to turn the Cam Lock (A) to lock onto the head of Cam Pin (A) , then put the Cover(D)on the head of Cam Lock(A).



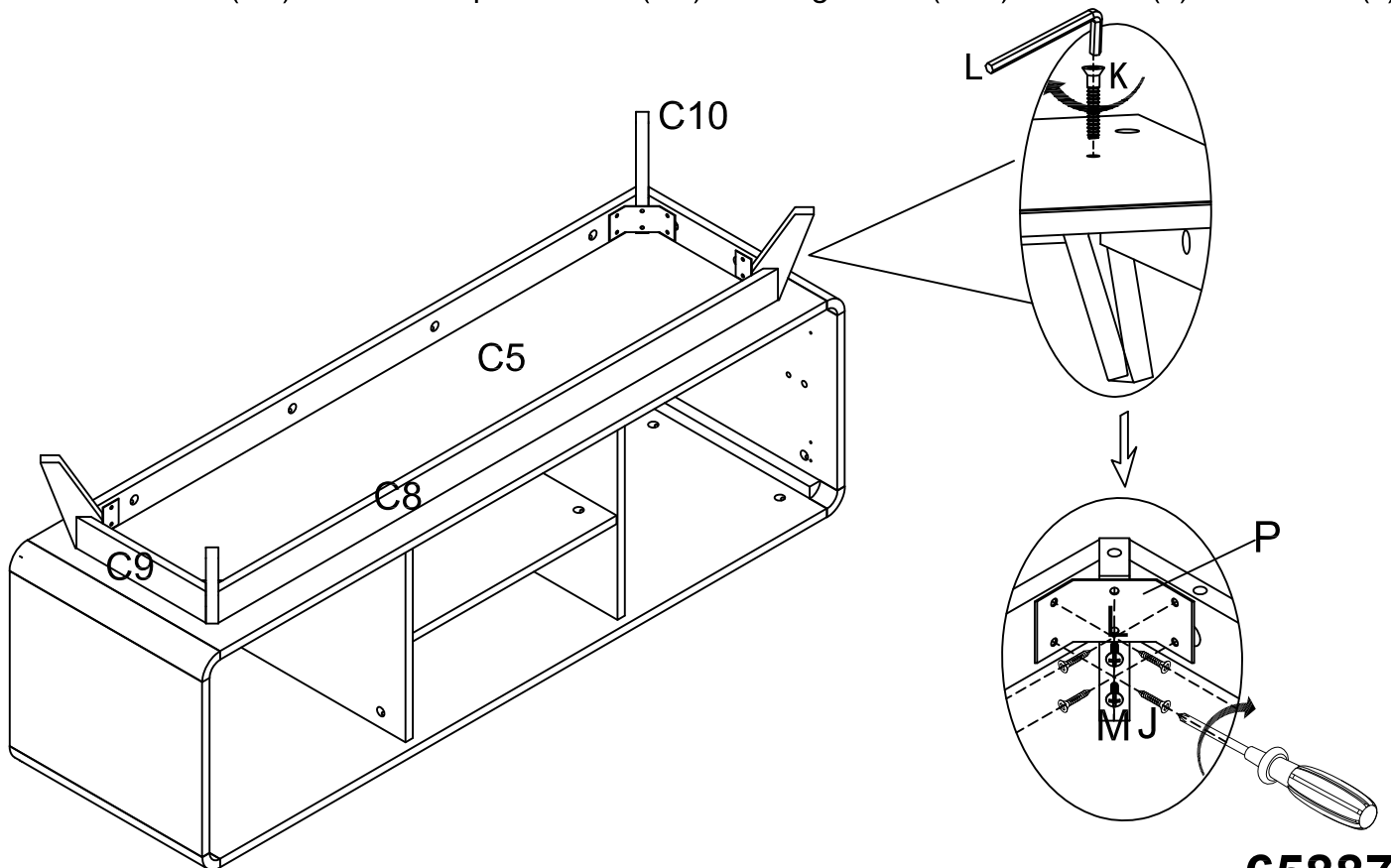
STEP 8: Assemble the Top Panel (C1) and Bottom Panel (C5) to the Corner Panel (C8). Use a Phillips Head Screwdriver to turn the Cam Lock (A) to lock onto the head of Cam Pin (A) than put the Cover(D)on the head of Cam Lock(A).



STEP 9: Assemble the Long Apron Panel (C8) and Short Apron Panel (C9) to the Bottom Panel (C5). Use a Phillips Head Screwdriver to turn the Cam Lock (A) to lock onto the head of Cam Pin (A).

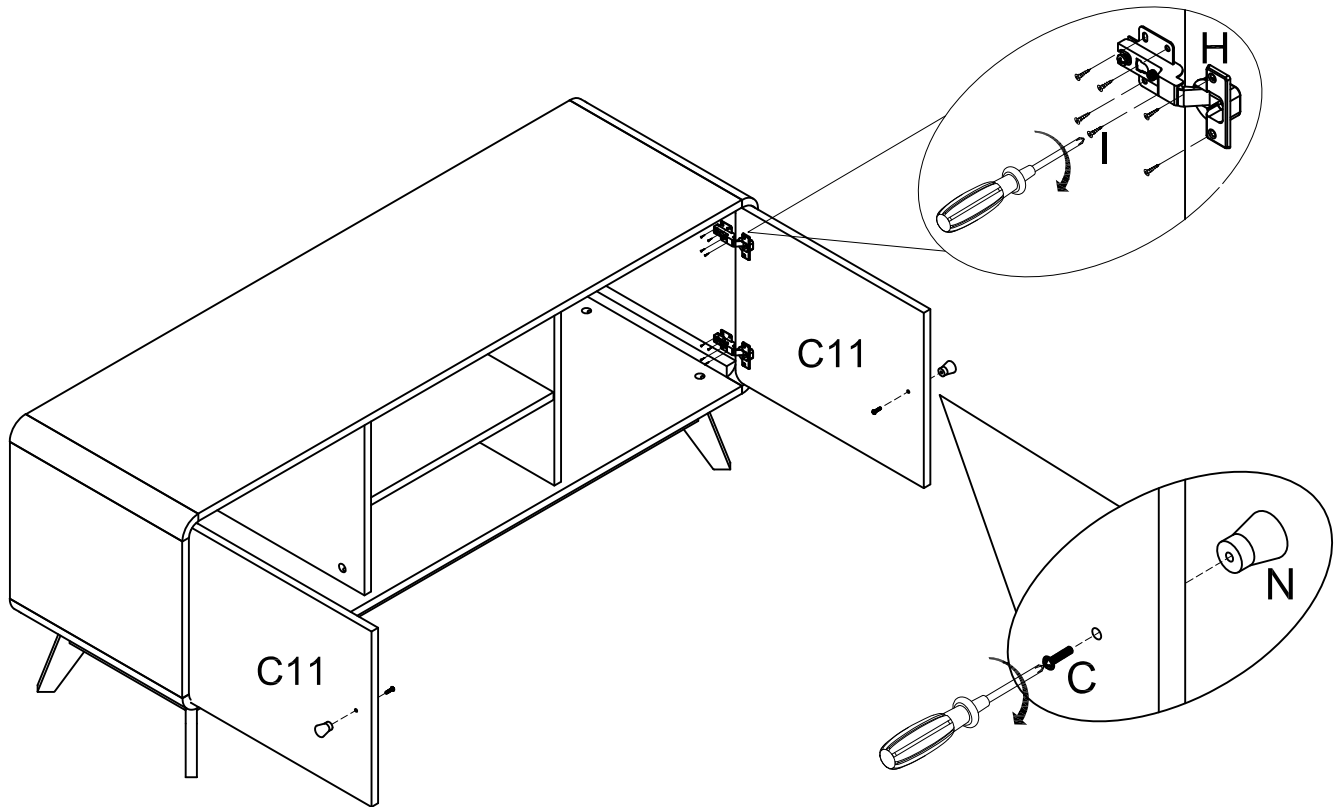


STEP 10: Use a Hex Key (L) to assemble the Leg Panel (C10) to the Bottom Panel (C5) with Bolt (K). Use a Phillips Head Screwdriver to assemble the Corner Plate (P) to the Long Apron Panel (C8) and Short Apron Panel (C9) and Leg Panel (C10) with Bolt (L) and Screw (J).

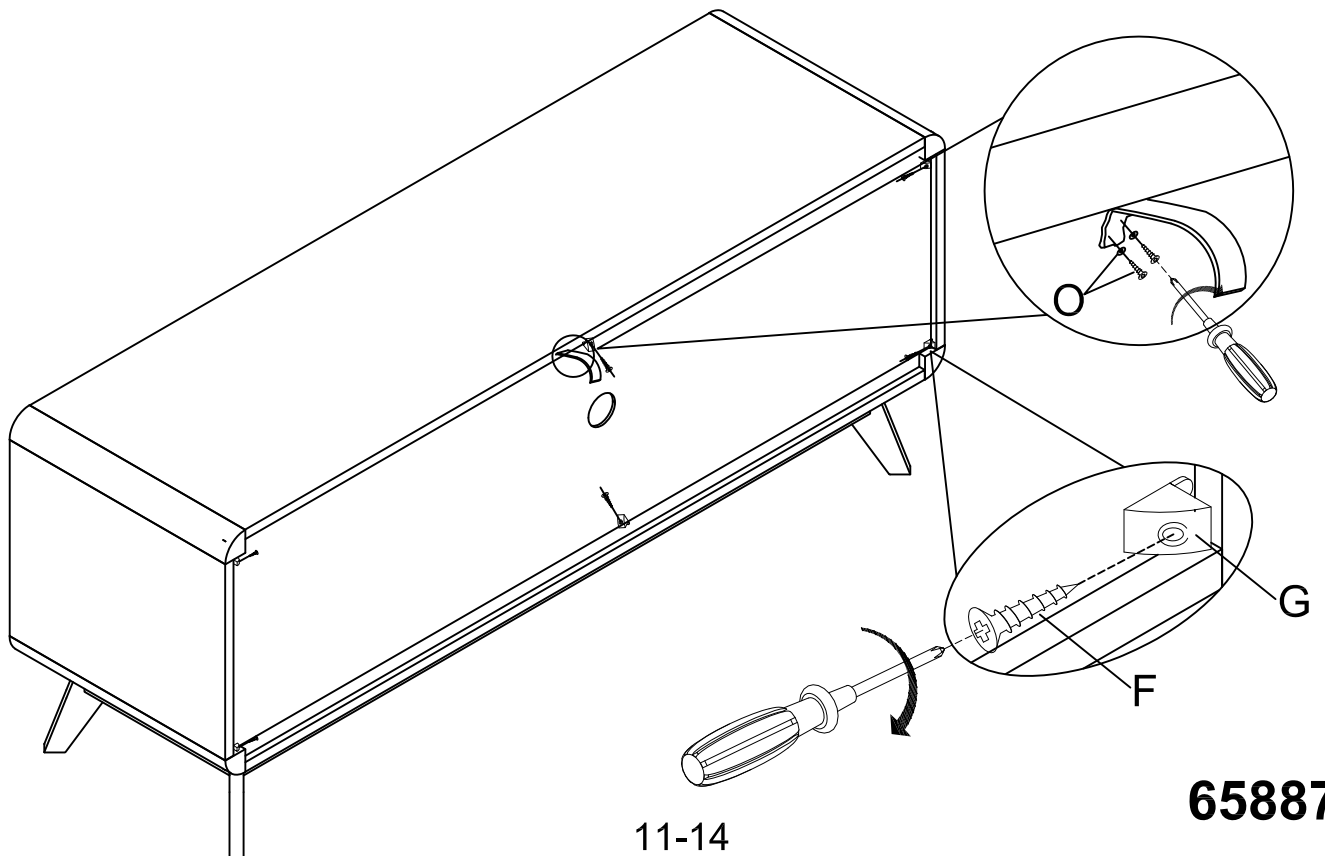


65887

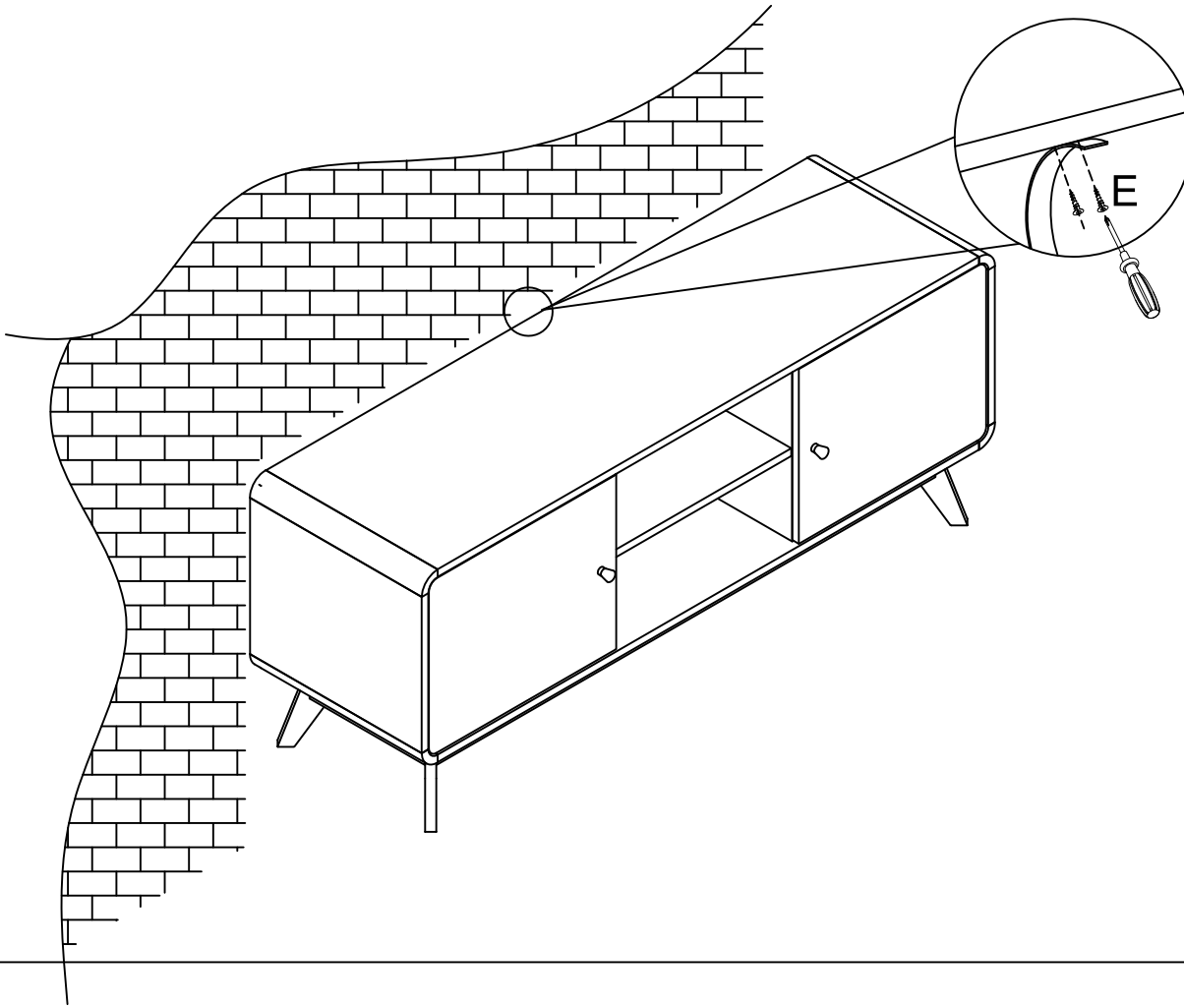
STEP 11: Use a Phillips Head Screwdriver to assemble the Handle (N) to the Door Panel (C11) with Bolt (C). Use a Phillips Head Screwdriver to assemble Hinge (H) to the Door Panel (C11) and Side Panel (C2) with Screw (I).



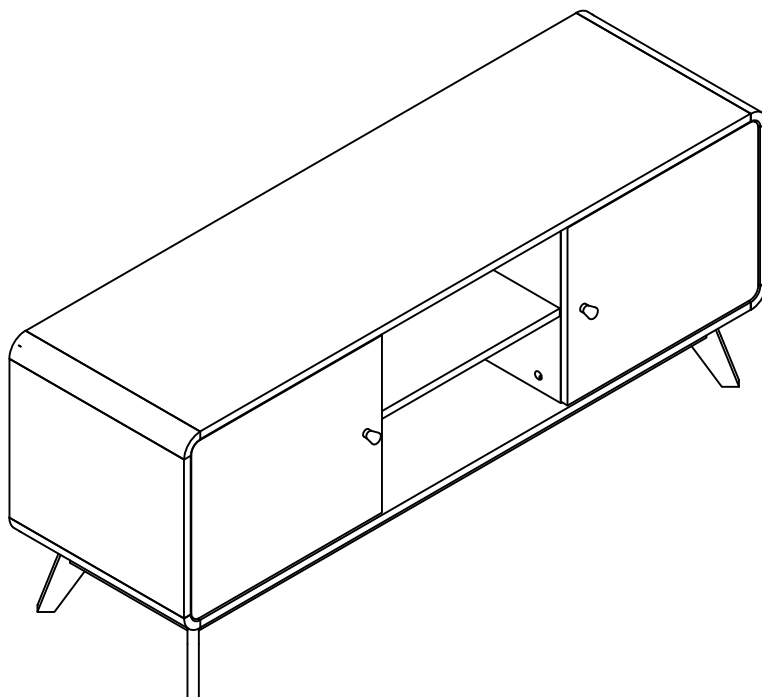
STEP 12: Use a Phillips Head Screwdriver to tighten the Belt (P) to the Top Panel (C1) with Screw (O). Use a Phillips Head Screwdriver to tighten the Connector (G) to the back corner with Screw (F).

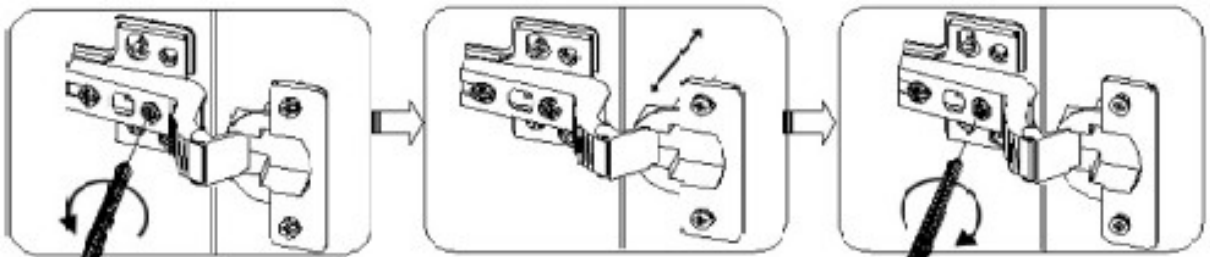
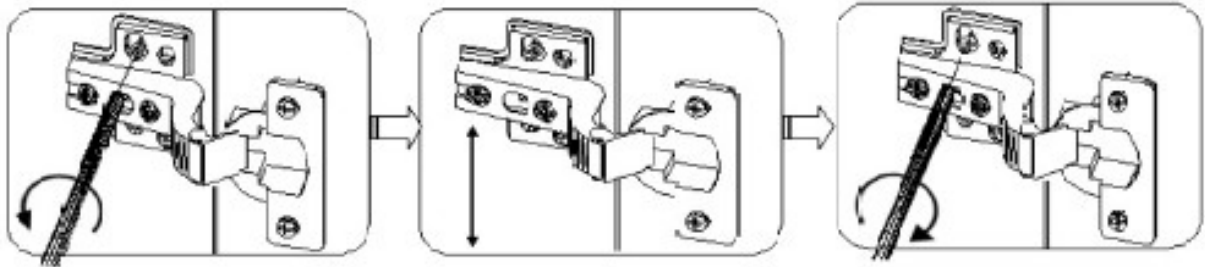
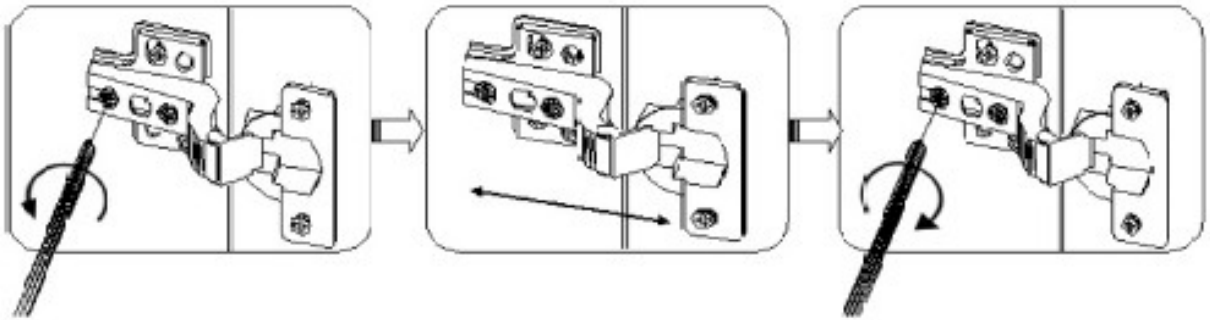
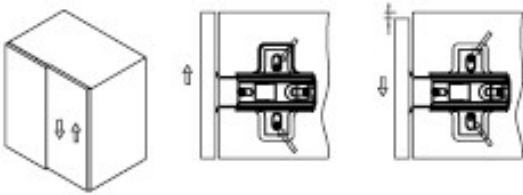
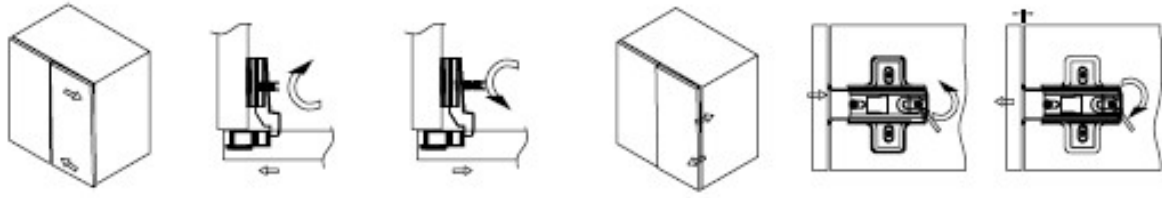


STEP 13: Use a Phillips Head Screwdriver to tighten the Belt (H) to the Wall with Screw (E).



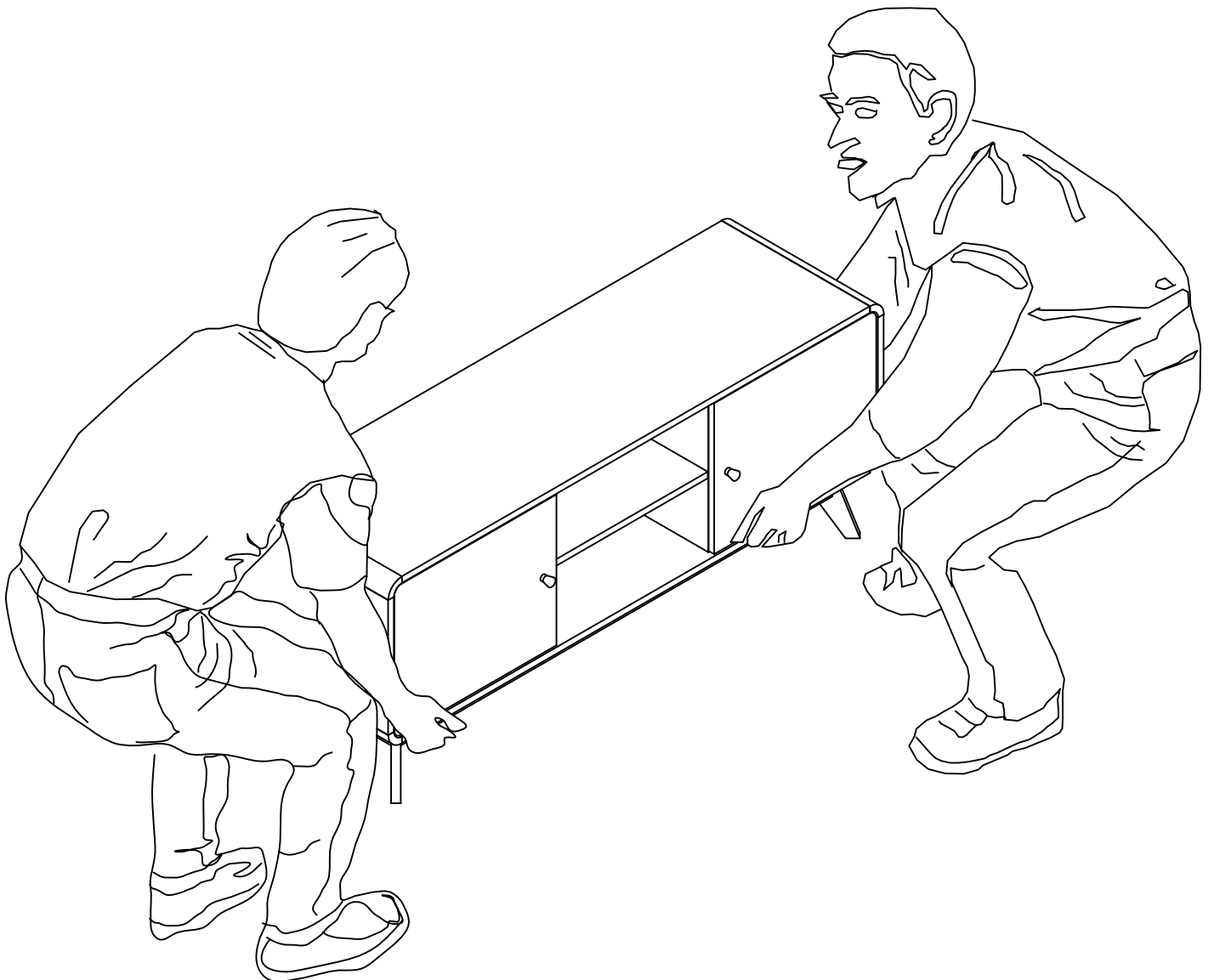
Assembly is complete





Note -

Do not drag the furniture as this may cause damage to the legs. Instead, use 2 persons to lift carefully with caution from either end.



IMPORTANT: CARE GUIDE FOR YOUR HI-GLOSS FURNITURE

Congratulations! You have just purchased a quality product from Amart Furniture, Australia's largest discount furniture retail store. Please read on for important information regarding your purchase...

Hi-gloss lacquered furniture is more sensitive to marks and scratching than some other furniture products. It is important to exercise caution and care to maximise the life and beauty of this product.

Following the below simple guidelines when using your hi-gloss product will protect your investment for years to come:

- Dust frequently with a clean damp, lint-free cloth. This will help remove abrasive build up which can damage a finish over time.
- Avoid using chemicals or solvents when cleaning the product.
- Do not place hot objects on any furniture surface. Always use a hot plate or placemat. Lacquer finishes provide added scratch and heat resistance to our furniture, but they can still be damaged without proper care.
- Avoid exposing your furniture to strong sunlight. Prolonged exposure to direct sunlight can fade the finish of your furniture.
- Do not expose your furniture to any liquids. Avoid allowing water to sit on your furniture. Alcohol, nail polish and perfume are particularly harmful as they will dissolve the lacquer finish on contact.
- Do not allow plastic to come in direct contact with your furniture. Chemicals in the plastic of some placemats etc may soften and mark the finish if left in contact with the furniture for a period of time.
- Avoid placing sharp or rough objects on the surface of your furniture. These may scratch the surface of the product.
- When moving your furniture, do not drag it across the floor. This may damage the product. Instead use two people to lift carefully with caution from either end.